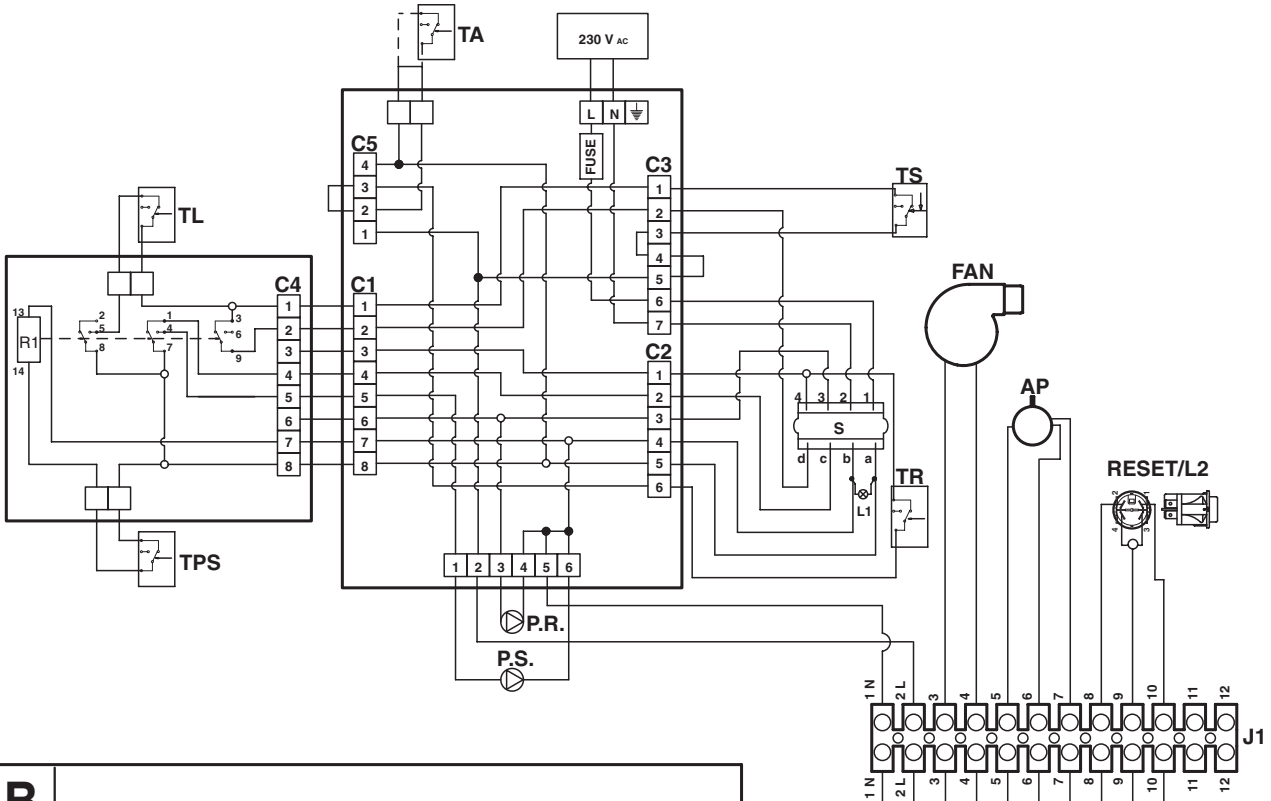
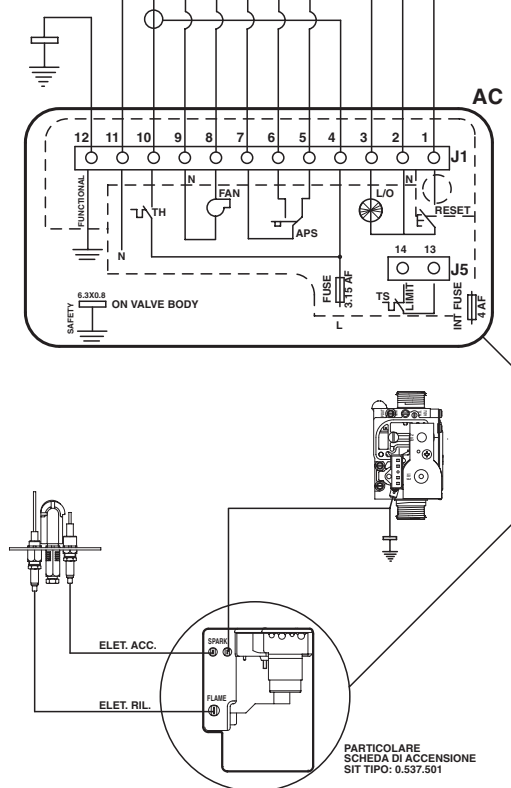
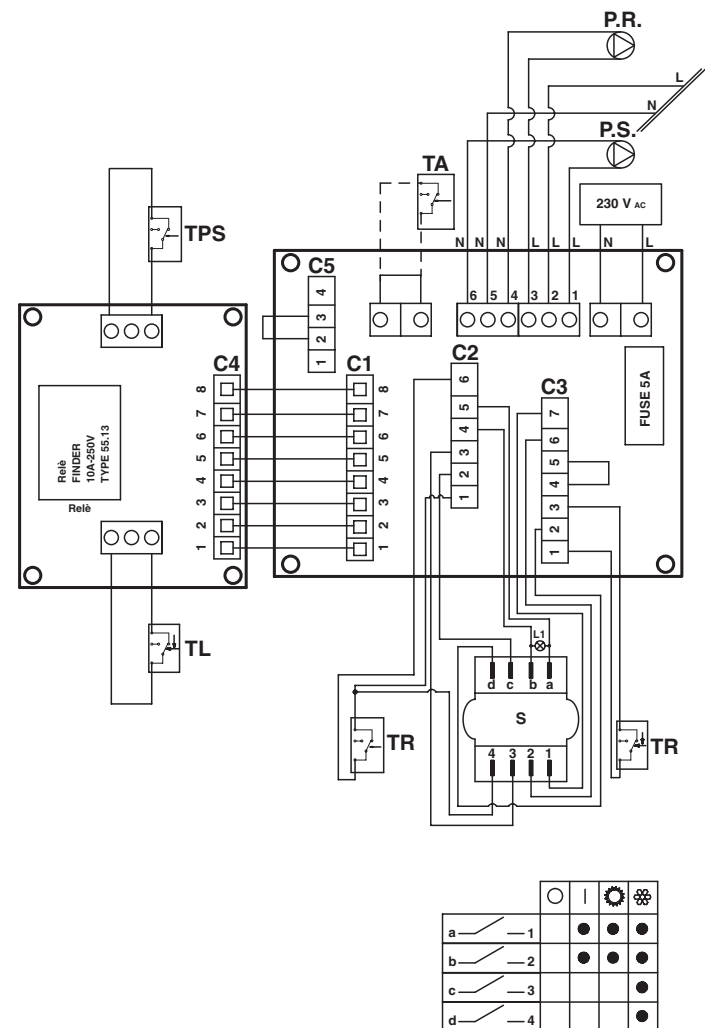


A



B



		○		⚙	⚙
a	—1	●	●	●	●
b	—2	●	●	●	●
c	—3			●	●
d	—4				●

Fig. 8