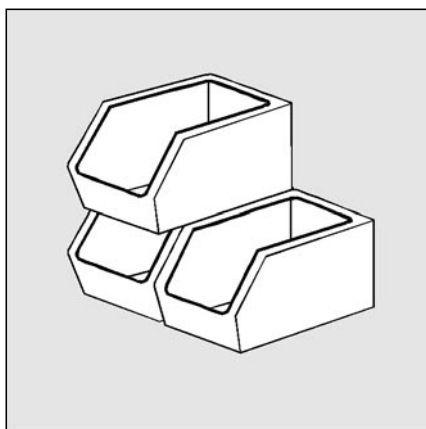




**Pièces de rechange
Pezzi di ricambio
Piezas de recambio
Spare parts list
Ersatzteilliste**



**NC12, NC16, NC21 H101
NC12, NC16, NC21 H201**



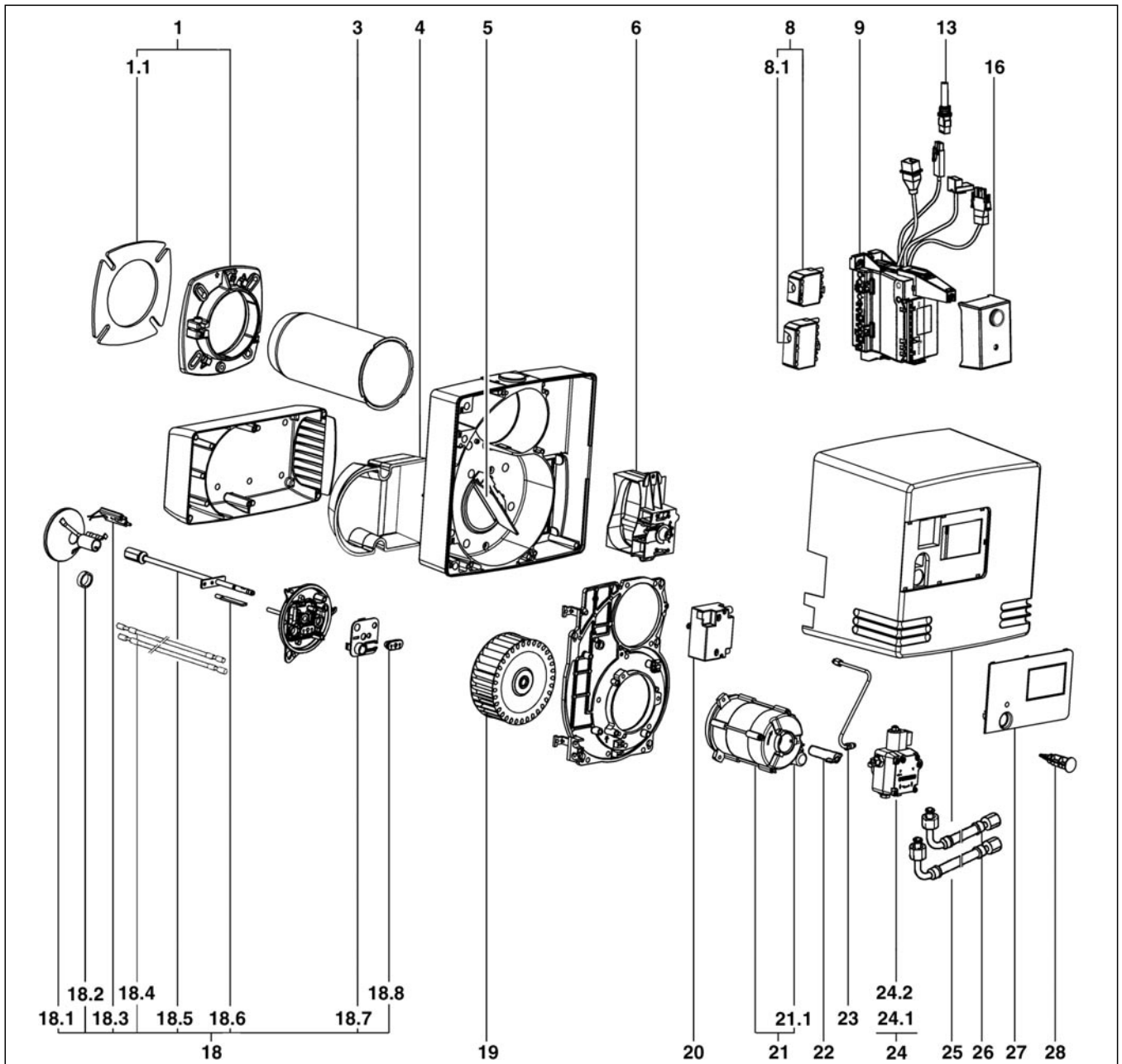
**Brûleurs 1 allure
Bruciatori monostadio
Quemadores de 1 etapa
1-stage burners
1-stufige Brenner10-12**

NC12 H101 2,25 G	T1	13 017 164
NC12 H101 2,25 G	T2	13 017 165
NC16 H101 2,75 G	T1	13 017 168
NC16 H101 2,75 G	T2	13 017 169
NC21 H101 4,00 G	T1	13 015 050
NC21 H101 4,00 G	T2	13 015 051
NC12 H201 1,50 G	T1	13 017 166
NC12 H201 1,50 G	T2	13 017 167
NC16 H201 2,25 G	T1	13 017 170
NC16 H201 2,25 G	T2	13 017 171
NC21 H201 2,75 G	T1	13 015 052
NC21 H201 2,75 G	T2	13 015 053

**Brûleurs 2 allures
Bruciatori bistadio
Quemadores de 2 etapas
2-stage burners
2-stufige Brenner13-15**



NC12, NC16, NC21 H101

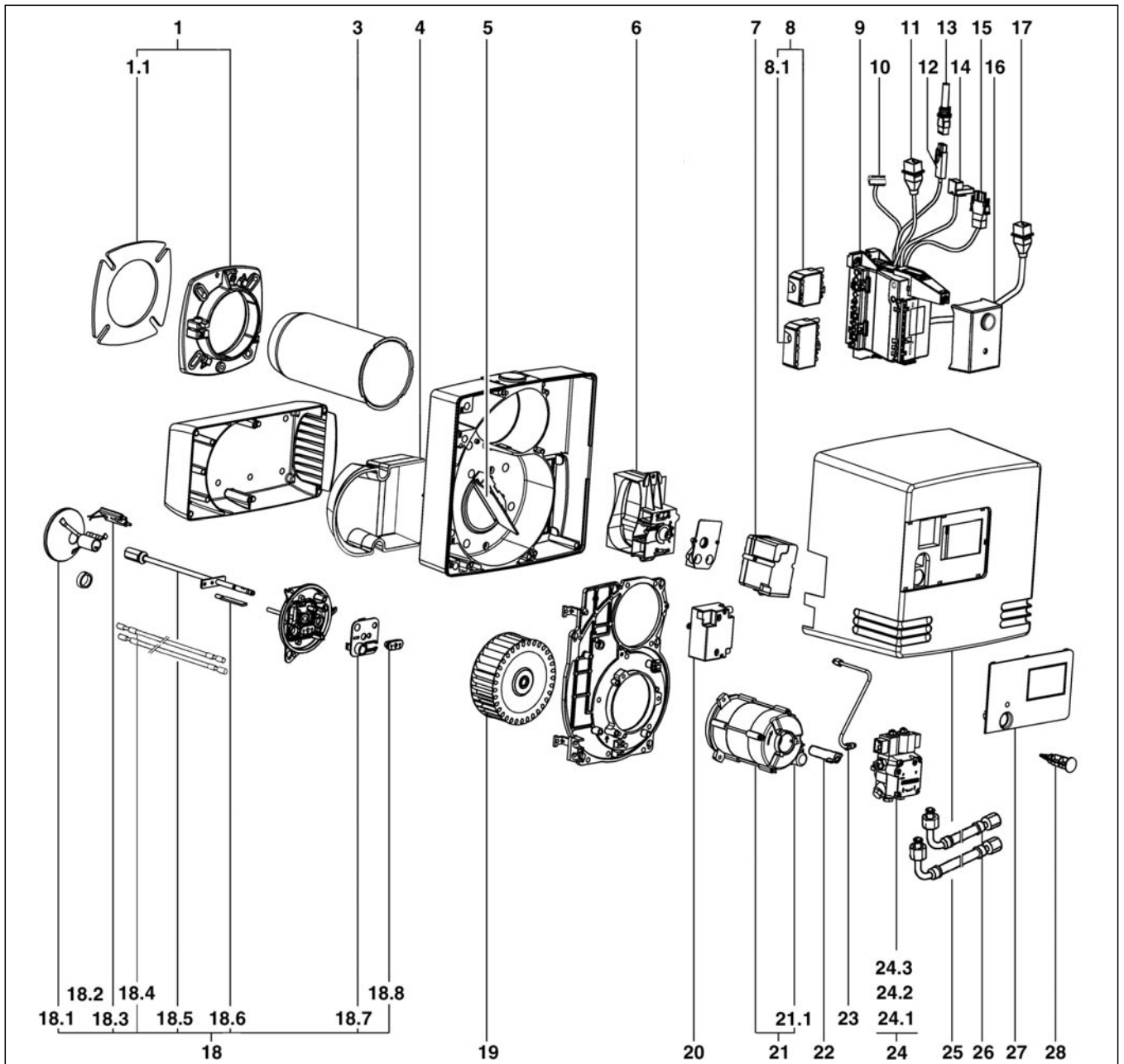


Pos.	Désignation	Denominazione	Designación	Description	Bezeichnung	Art. Nr.
01	Accessoires chaudière	Accessori caldaia	Accesorios caldera	Boiler accessories	Anschlussflansch BG.	13 017 361
01.1	Joint façade	Guarnizione	Junta	Boiler front seal	Isolierflansch	13 017 360
03	Embout NC12/16 x230 x350 NC21 x230 x350	Ø115/78 T1 T2 Ø115/100 T1 T2	Cañón NC12/16 x230 x350 NC21 x230 x350	Blast tube NC12/16 x230 x350 NC21 x230 x350	Brennerrohr NC12/16 x230 x350 NC21 x230 x350	Ø115/78 T1 T2 Ø115/100 T1 T2
04	Isolation phonique	Isolamento fonico	Phonique del aislamiento	Insulation	Isolierung / Luftkasten	13 017 369
05	Recyclage d'air NC12 NC16/21	NC12 NC16/21	NC12 NC16/21	Recycling air NC12 NC16/21	Ansaugluftführung NC12 NC16/21	13 017 363 13 017 364
06	Volet d'air complet	Serranda aria	Trampilla de aire	Air flap	Luftklappe BG	13 017 362
08	Prise Wieland 4P +7P.	Presa Wieland 4P +7P.	Toma Wieland 4P +7P.	Wieland plug 4P +7P.	Wieland Stecker 4P +7P.	13 016 496
08.1	Prise Wieland 7P.	Presa Wieland 7P.	Toma Wieland 7P.	Wieland plug 7P.	Wieland Stecker 7P.	13 016 494
09	Cassette de raccordement cablée	Cassetta di collegamento	Casete de conexión	Elec. Connection box	Anschlusskasten m. Relaissockel O.Kabel	13 015 685
13	Cellule MZ 770 S	Cellula MZ 770 S	Célula MZ 770 S	Photocell MZ 770 S	Fotozelle MZ 770 S	13 015 692
16	Coffret fuel SH 113	Programmatore gasolio SH 113	Cajetín gasóleo SH 113	Control unit SH 113	Feuerungsautomat SH 113	13 015 697
18	Ligne gicleur équipée NC12/16 T1 T2 NC21 T1 T2	Linea porta ugello cpl. NC12/16 T1 T2 NC21 T1 T2	Linea pulverizador cpl. NC12/16 T1 T2 NC21 T1 T2	Nozzle rod cpl. NC12/16 T1 T2 NC21 T1 T2	Düsengestänge Kpl. NC12/16 T1 T2 NC21 T1 T2	13 017 374 13 017 375 13 017 464 13 017 465
18.1	Défecteur NC12/16 Ø78/20-6FD NC21 Ø90/20-6FD	Deflettore NC12/16 Ø78/20-6FD NC21 Ø90/20-6FD	Deflector NC12/16 Ø78/20-6FD NC21 Ø90/20-6FD	Turbulator NC12/16 Ø78/20-6FD NC21 Ø90/20-6FD	Turbulator NC12/16 Ø78/20-6FD NC21 Ø90/20-6FD	13 015 748 13 015 751
18.2	Anneau de butée			Setting keeper ring	Einstellungsring	13 018 403
18.23	Electrode allu. NC12/16 NC21	Elettrodo di accensione NC12/16 NC21	Electrodo de encendido NC12/16 NC21	Ignition electrode NC12/16 NC21	Blockelektrode NC12/16 NC21	13 015 848 13 015 847
18.4	Câble allumage L625 T1/T2	Cavi d'accensione L625 T1/T2	Cables de encendido L625 T1/T2	Ignition lead L625 T1/T2	Zündkabel L625 T1/T2	13 018 090
18.5	Ligne gicleur L426 L546	Linea porta ugello L426 L546	Linea pulverizador L426 L546	Nozzle assembly L426 L546	Düsengestänge L426 L546	13 017 365 13 017 366
18.6	Reglette graduée	marchio	placa	ruler	Einstellskala	13 017 802
18.7	Plaque tableau de bord	Piastrina cruscotto	Placa del tablero de instrumentos	Dashboard plate	Deckplatte	13 016 951
18.8	Passe fil Ø5/9	Passa cavi Ø5/9	Capuchón de goma Ø5/9	Funnel Ø5/9	Kabeldurchführung Ø5/9 2x	13 018 139
19	Turbine NC12 Ø146x52	Ventilatore NC12 Ø146x52	Turbina NC12 Ø146x52	Air fan NC12 Ø146x52	Ventilatorrad NC12 Ø146x52	13 016 689
20	NC16/21 Ø160x52 Transformateur allu. EBI-M 2x7,5kV	NC16/21 Ø160x52 Trasformatore d'accens. EBI-M 2x7,5kV	NC16/21 Ø160x52 Transformador EBI-M 2x7,5kV	NC16/21 Ø160x52 Ignition transfo. EBI-M 2x7,5kV	NC16/21 Ø160x52 Zündtrafo EBI-M 2x7,5kV	13 016 706 13 016 671



Pos.	Désignation	Denominazione	Designación	Description	Bezeichnung	Art. Nr.
21	Moteur + condensateur NC12/16	Motore + condensatore NC12/16	motor + condensador NC12/16	Motor + Capacitor NC12/16	Motor + Kondensator	13 016 369
	NC21	NC21	NC21	NC21		13 016 368
21.1	Condensateur NC12/16 5µF, 400V 6µF, 400V	Condensatore 5µF, 400V 6µF, 400V	Condensador 5µF, 400V 6µF, 400V	Capacitor 5µF, 400V 6µF, 400V	Kondensator 5µF, 400V 6µF, 400V	13 015 722 13 015 723
22	Accouplement pompe/moteur	Accoppiamento pompa/servomotore	Acoplamiento bomba/motor	Coupling pump/motor	Kupplung Pumpe/Motor	13 015 526
23	Tube Pompe / ligne gicleur	Tubetto pompa/ l.p.u.	Tubo bomba/ línea pulveriz.	Fuel-oil feed tube	Düsenzuleitung	13 017 379
24	Pompe AS47D	Pompa AS47D	Bomba AS47D	Pump AS47D	Pumpe AS47D	13 016 262
24.1	Filtre H20 + joint	Filtro + guarnizione	Filtro + junta	Filter inlet	Filtereinsatz + Dichtung-Set	13 016 253
24.2	Joint	guarnizione	junta	inlet	Dichtung	13 016 205
24.3	Bobines	Bobina	Bobina	Magnet coil NC	Magnetspule NC	13 015 572
25	Capot orange	Coperchio arancio	Tapa naranja	Orange cover	Schützhaube	13 017 370
26	Flexible 2x	Tubi flessibili	Latiguillos flexibles	Fuel-oil hose	Ölschlauch	13 015 503
27	Plaque frontale NC12 NC16 NC21	Marchio frontale NC12 NC16 NC21	Placa frontal NC12 NC16 NC21	Standard front cover NC12 NC16 NC21	Beschriftungsplatte NC12 NC16 NC21	13 017 381 13 017 382 13 017 383
28	Bouton de réarmement	Pulsante de rearmo	Torta/ cajetin de control	Reset button	Taster Entriegelung	13 017 380
29	Vis M5x20 / capot	Vite M5x20 / Coperchio	Tornillo M5x20 / Tapa	Screw M5x20 / cover	Schraube M5x20 / Haube	13 018 842

NC12, NC16, NC21 H201



Pos.	Désignation	Denominazione	Designación	Description	Bezeichnung	Art. Nr.
01	Accessoires chaudière	Accessori caldaia	Accesorios caldera	Boiler accessories	Anschlussflansch BG.	13 017 361
01.1	Joint façade	Guarnizione	Junta	Boiler front seal	Isolierflansch	13 017 360
03	Embout NC12/16 Ø115/78 T1 x230 T2 x350 NC21 Ø115/100 T1 x230 T2 x350	Imbuto NC12/16 Ø115/78 T1 x230 T2 x350 NC21 Ø115/100 T1 x230 T2 x350	Cañón NC12/16 Ø115/78 T1 x230 T2 x350 NC21 Ø115/100 T1 x230 T2 x350	Blast tube NC12/16 Ø115/78 T1 x230 T2 x350 NC21 Ø115/100 T1 x230 T2 x350	Brennerrohr NC12/16 Ø115/78 T1 x230 T2 x350 NC21 Ø115/100 T1 x230 T2 x350	13 017 371 13 017 372 13 017 367 13 017 368
04	Isolation phonique			Insulation	Isolierung / Luftkasten	13 017 369
05	Recyclage d'air NC12 NC16/21	NC12 NC16/21	NC12 NC16/21	Recycling air NC12 NC16/21	Ansaugluftführung NC12 NC16/21	13 017 363 13 017 364
06	Volet d'air complet	Serranda aria	Trampilla de aire	Air flap	Luftklappe BG	13 017 362
07	Servomoteur Berger STA 4,5	Servomotore	Servomotor	Servomotor	Stellantrieb	13 016 569
08	Prise Wieland 4P +7P.	Presa Wieland 4P +7P.	Toma Wieland 4P +7P.	Wieland plug 4P +7P.	Wieland Stecker 4P +7P.	13 016 496
08.1	Prise Wieland 7P.	Presa Wieland 7P.	Toma Wieland 7P.	Wieland plug 7P.	Wieland Stecker 7P.	13 016 494
09	Cassette de raccordement	Cassette di collegamento	Cassete de conexión	Elec. Connection box	Anschlusskasten m. Relaissockel O.Kabel	13 015 686
10	Prise 9P.+câble / servomoteur	Presa 9P.+cavo / servo.	Toma 9P.+cable/ servomotor	Plug+cable/servomotor	Stecker+Kabel/Stellantrieb	13 018 150
11	Câble vanne fuel 1 ^{er} all.	Cavo valvola gasolio 1° stadio	Cable válvula 1° etapa	Cable with plug / Valve (1 st stage)	Kabel m. Stecker / Ventil 1 St.	13 018 151
12	Prise D.2P.+câble / cellule	Presa 2P.+cavo/celula	Toma 2 P.+cable/célula	Plug+cable/Photocell	Stecker+Kabel / Fotozelle	13 015 614
13	Cellula MZ 770 S	Cellula MZ 770 S	Célula MZ 770 S	Photocell MZ 770 S	Fotozelle MZ 770 S	13 015 692
14	Prise C.2P.+câble / transfo.	Presa 2 poli.+cavo trasf.	Toma C. 2P.+cavo/transf.	Plug+cable / Ignition transfo.	Kabel m. Stecker / Zündtrafo	13 015 638
15	Prise C.3P.+câble / moteur	Presa 3P.+cavo / motore	Toma C. 3P.+cable/motor	Plug+cable/motor	Stecker+Kabel/Motor	13 015 630
16	Coffret fuel SH 213	Programmatore gasolio SH 213	Cajetín gasóleo SH 213	Control unit SH 213	Feuerungsautomat SH 213	13 015 698
17	Câble vanne fuel 2 ^{ème} all.	Cavo valvola gasolio 2° stadio	Cable válvula 2° etapa	Cable with plug / Valve (2 nd stage)	Kabel m. Stecker / Ventil 2 St.	13 018 152
18	Ligne gicleur équipée NC12/16 T1 T2 NC21 T1 T2	NC12/16 T1 T2 NC21 T1 T2	Línea pulverizador cpl. NC12/16 T1 T2 NC21 T1 T2	Nozzle rod cpl. NC12/16 T1 T2 NC21 T1 T2	Düsengestänge Kpl. NC12/16 T1 T2 NC21 T1 T2	13 017 374 13 017 375 13 017 464 13 017 465
18.1	Déflecteur NC12/16 Ø78/20-6FD NC21 Ø90/20-6FD	Deflettore NC12/16 Ø78/20-6FD NC21 Ø90/20-6FD	Deflector NC12/16 Ø78/20-6FD NC21 Ø90/20-6FD	Turbulator NC12/16 Ø78/20-6FD NC21 Ø90/20-6FD	Turbulator NC12/16 Ø78/20-6FD NC21 Ø90/20-6FD	13 015 748 13 015 751
18.2	Anneau de butée			Setting keeper ring	Einstellungsring	13 018 043
18.23	Electrode allu. NC12/16 NC21	Elettrodo di accensione NC12/16 NC21	Electrodo de encendido NC12/16 NC21	Ignition electrode NC12/16 NC21	Blockelektrode NC12/16 NC21	13 015 848 13 015 847
18.4	Câble allumage L625 T1/T2	Cavi d'accensione L625 T1/T2	Cables de encendido L625 T1/T2	Ignition lead L625 T1/T2	Zündkabel L625 T1/T2	13 018 090
18.5	Ligne gicleur T1 L426 L546 T2	Línea porta ugello T1 L426 L546 T2	Linea pulverizador T1 L426 L546 T2	Nozzle assembly T1 L426 L546 T2	Düsengestänge T1 L426 L546 T2	13 017 365 13 017 366
18.6	Reglette graduée	marchio	placa	ruler	Einstellskala	13 017 802
18.7	Plaque tableau de bord	Piastrina cruscotto	Placa del tablero de instrumentos	Dashboard plate	Deckplatte	13 016 951

Pos.	Désignation	Denominazione	Designación	Description	Bezeichnung	Art. Nr.
18.8	Passé fil Ø5/9	Passa cavi Ø5/9	Capuchón de goma Ø5/9	Funnel Ø5/9	Kabeldurchführung Ø5/9 2x	13 018 139
19	Turbine NC12 Ø146x52	Ventilatore NC12 Ø146x52	Turbina NC12 Ø146x52	Air fan NC12 Ø146x52	Ventilatorrad NC12 Ø146x52	13 016 689
20	Transformateur allu. EBI-M 2x7,5kV Ø160x52	Transformatore d'accens. EBI-M 2x7,5kV Ø160x52	Transformador EBI-M 2x7,5kV Ø160x52	Ignition transfo. EBI-M 2x7,5kV Ø160x52	Zündtrafo EBI-M 2x7,5kV Ø160x52	13 016 671
21	Moteur + condensateur NC12/16	Motore + condensatore NC12/16	motor + condensador NC12/16	Motor + Capacitor NC12/16	Motor + Kondensator NC12/16	13 016 369
	NC21	NC21	NC21	NC21	NC21	13 016 368
21.1	Condensateur NC12/16 5µF, 400V 6µF, 400V	Condensatore 5µF, 400V 6µF, 400V	Condensador 5µF, 400V 6µF, 400V	Capacitor 5µF, 400V 6µF, 400V	Kondensator 5µF, 400V 6µF, 400V	13 015 722 13 015 723
22	Accouplement pompe/moteur	Accoppiamento pompa/servomotore	Acoplamiento bomba/motor	Coupling pump/motor	Kupplung Pumpe/Motor	13 015 526
23	Tube Pompe / ligne gicleur	Tubetto pompa/ l.p.u.	Tubo bomba/ línea pulveriz.	Fuel-oil feed tube	Düsenzuleitung	13 017 379
24	Pompe AT2 45D	Pompa AT2 45D	Bomba AT2 45D	Pump AT2 45D	Pumpe AT2 45D	13 018 416
24.1	Filtre H20 + joint	Filtro + guarnizione	Filtro + junta	Filter inlet	Filtereinsatz + Dichtung-Set	13 016 253
24.2	Joint	guarnizione	junta	inlet	Dichtung	13 016 205
24.3	Bobines	Bobina NC	Bobina	Magnet coil	Magnetspule	13 016 001
25	Capot orange	Coperchio arancio	Tapa naranja	Orange cover	Schützhaube	13 018 036
26	Flexible	Tubi flessibili	Latiguillos flexibles	Fuel-oil hose	Ölschlauch	13 015 503
27	Plaque frontale NC12 NC16 NC21	Marchio frontale NC12 NC16 NC21	Placa frontal NC12 NC16 NC21	Standard front cover NC12 NC16 NC21	Beschriftungsplatte NC12 NC16 NC21	13 017 381 13 017 382 13 017 383
28	Bouton de réarmement	Pulsante de rearmo	Torta/ cajetin de control	Reset button	Taster Entriegelung	13 017 380
29	Vis M5x20 / capot	Vite M5x20 / Coperchio	Tornillo M5x20 / Tapa	Screw M5x20 / cover	Schraube M5x20 / Haube	13 018 842



